



BIAS COMPARISONS FOR LSEM, PATH, AND CISE-ALPHA MODELS

Professor R. L. Brown

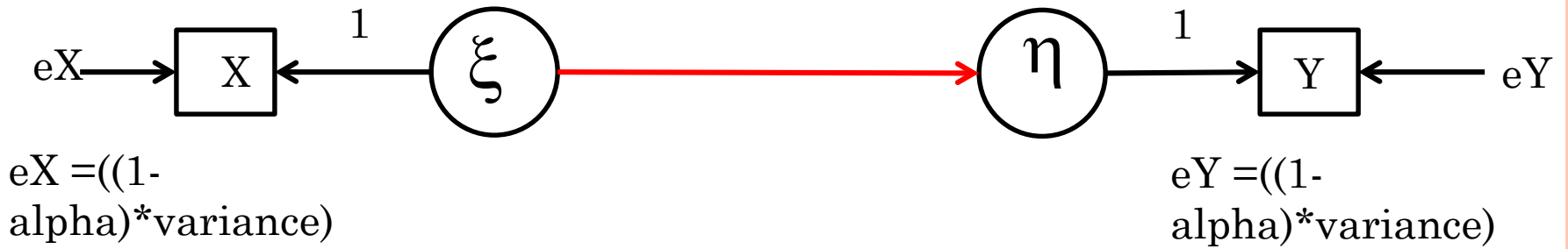
Schools of Nursing, Medicine and Public Health

University of Wisconsin-Madison

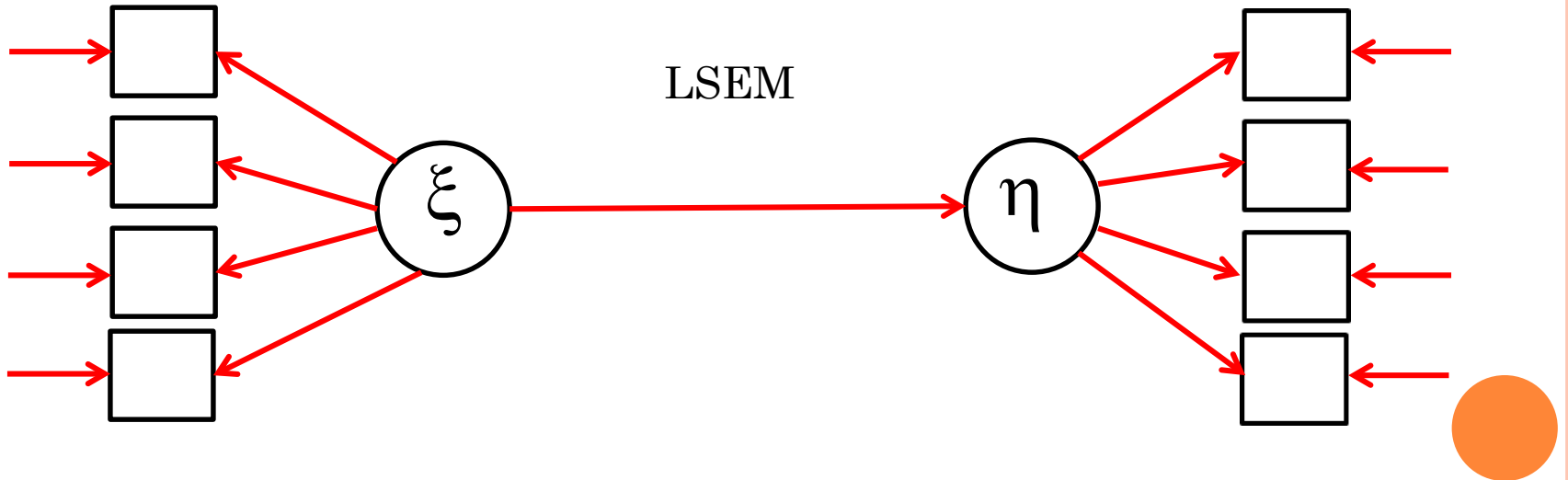
Path



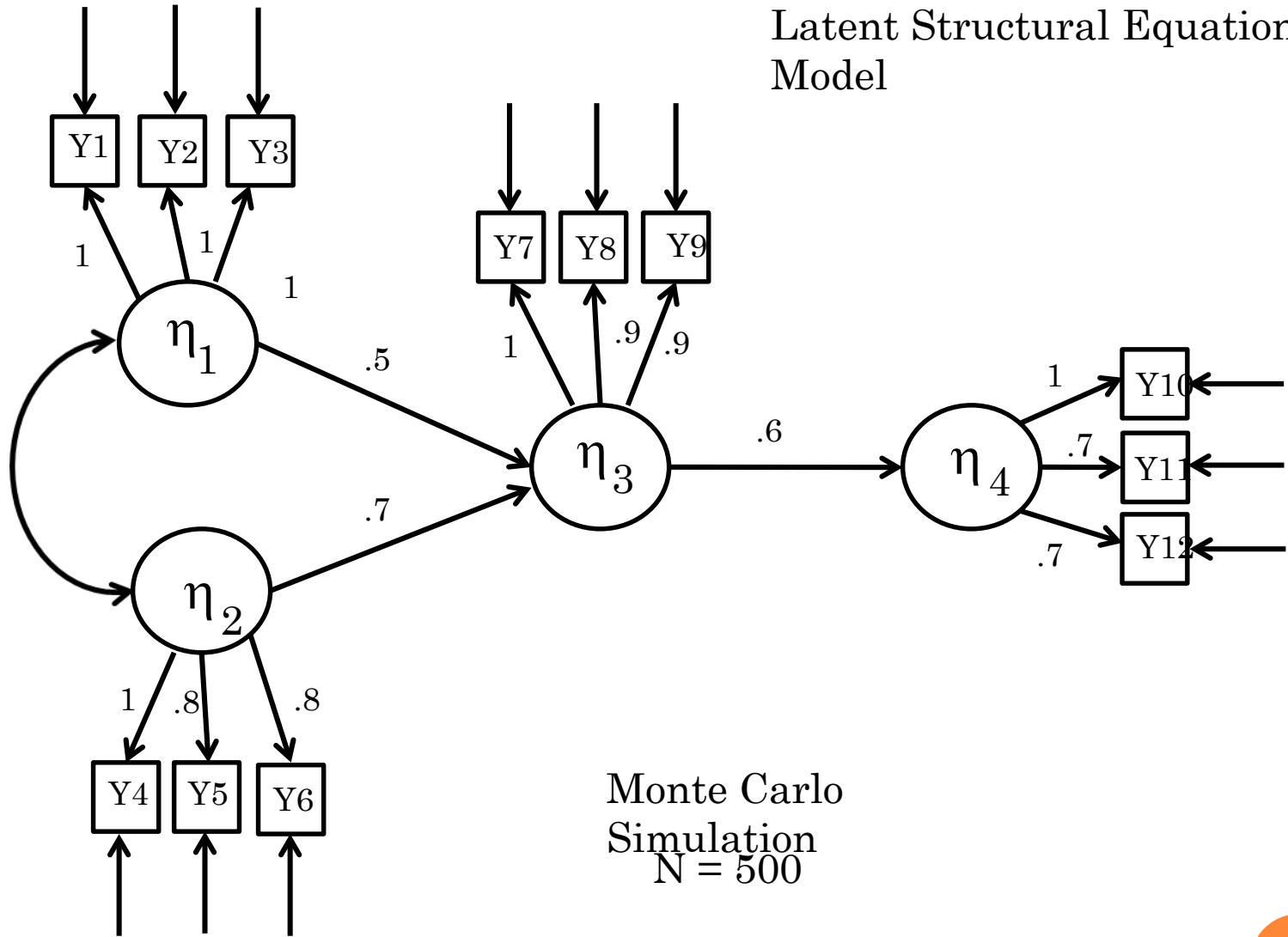
CISE



LSEM



Latent Structural Equation Model



```
title: this is an example of a SEM with
       continuous factor indicators

montecarlo:
  names = y1-y12;
  nobs = 500;
  nreps = 1;
  save = ex5.11.dat;

model montecarlo:

  f1 by y1@1 y2-y3*1;
  f2 by y4@1 y5-y6*.8;
  f3 by y7@1 y8-y9*.9;
  f4 by y10@1 y11-y12*.7;

  y1-y12*1;
  f1-f2*1;
  f3-f4*.5;

  f3 on f1*.5 f2*.7;
  f4 on f3*.6;

model:

  f1 by y1@1 y2-y3*1;
  f2 by y4@1 y5-y6*.8;
  f3 by y7@1 y8-y9*.9;
  f4 by y10@1 y11-y12*.7;

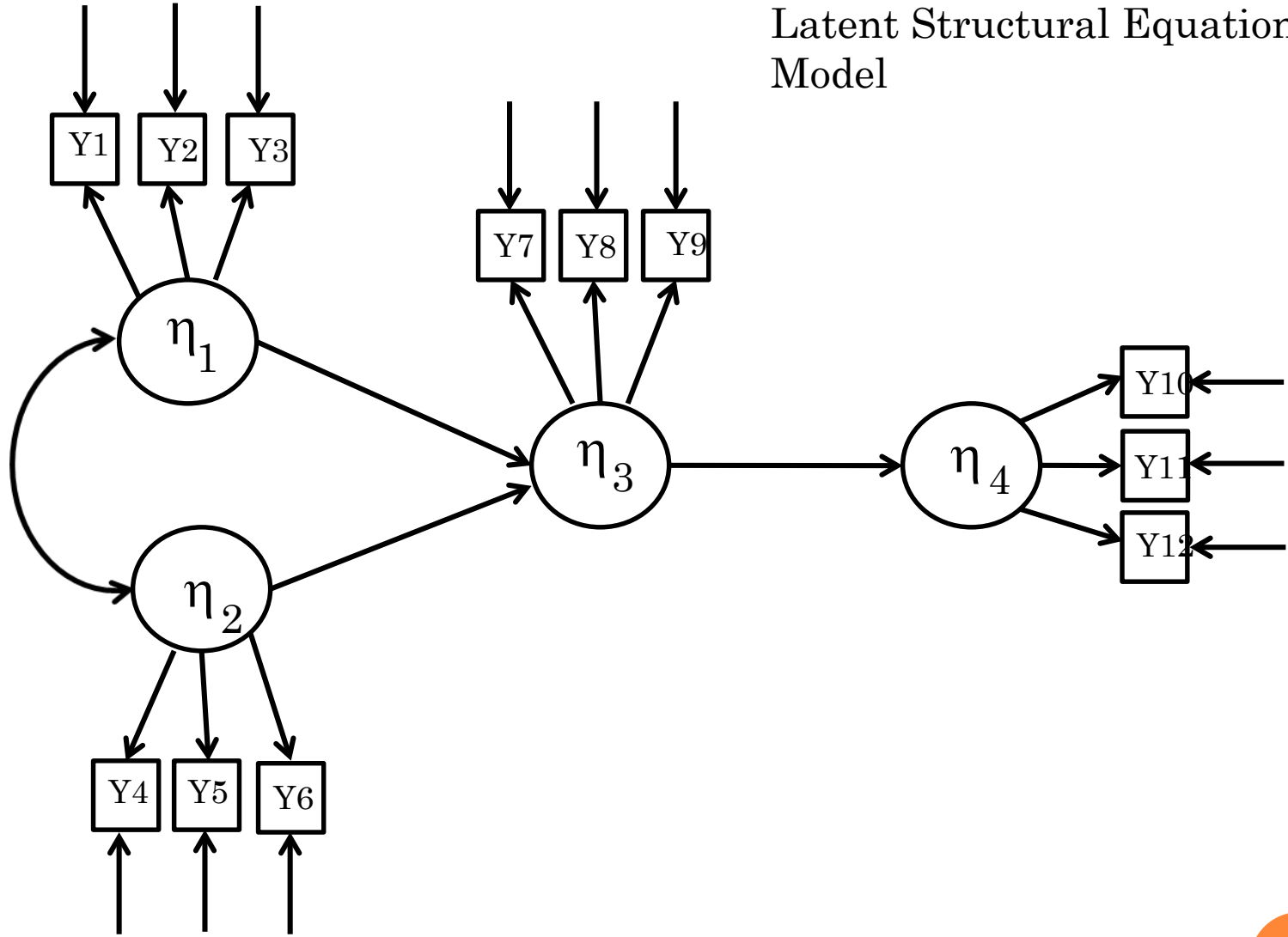
  y1-y12*1;
  f1-f2*1;
  f3-f4*.5;

  f3 on f1*.5 f2*.7;
  f4 on f3*.6;

output:
  tech9;
```



Latent Structural Equation Model



Latent Structural Equation Model

INPUT INSTRUCTIONS

```
title: Monte Carlo Study CISE
data: file is MC.dat;
variable: names are y1-y12;
model:
  factor1 by y1-y3;
  factor2 by y4-y6;
  factor3 by y7-y9;
  factor4 by y10-y12;
  factor4 on factor3;
  factor3 on factor1 factor2;
```



Latent Structural Equation Model

MODEL RESULTS

	Estimate	S.E.	Est./S.E.	Two-Tailed P-Value
FACTOR1 BY				
Y1	1.000	0.000	999.000	999.000
Y2	1.183	0.104	11.376	0.000
Y3	0.938	0.087	10.818	0.000
FACTOR2 BY				
Y4	1.000	0.000	999.000	999.000
Y5	0.870	0.085	10.202	0.000
Y6	0.891	0.092	9.735	0.000
FACTOR3 BY				
Y7	1.000	0.000	999.000	999.000
Y8	0.872	0.059	14.699	0.000
Y9	0.882	0.060	14.611	0.000
FACTOR4 BY				
Y10	1.000	0.000	999.000	999.000
Y11	0.826	0.094	8.812	0.000
Y12	0.682	0.089	7.696	0.000
FACTOR4 ON FACTOR3	0.473	0.057	8.306	0.000
FACTOR3 ON FACTOR1	0.563	0.070	8.027	0.000
FACTOR2	0.790	0.086	9.228	0.000
FACTOR2 WITH FACTOR1	-0.030	0.055	-0.545	0.586



MODEL FIT INFORMATION

Number of Free Parameters 40

Loglikelihood

H0 Value -9646.960

H1 Value -9620.108

Information Criteria

Akaike (AIC) 19373.920

Bayesian (BIC) 19542.505

Sample-Size Adjusted BIC 19415.542

($n^* = (n + 2) / 24$)

Chi-Square Test of Model Fit

Value 53.704

Degrees of Freedom 50

P-Value 0.3344

RMSEA (Root Mean Square Error Of Approximation)

Estimate 0.012

90 Percent C.I. 0.000 0.032

Probability RMSEA \leq .05 1.000

CFI/TLI

CFI 0.997

TLI 0.997

Chi-Square Test of Model Fit for the Baseline Model

Value 1524.403

Degrees of Freedom 66

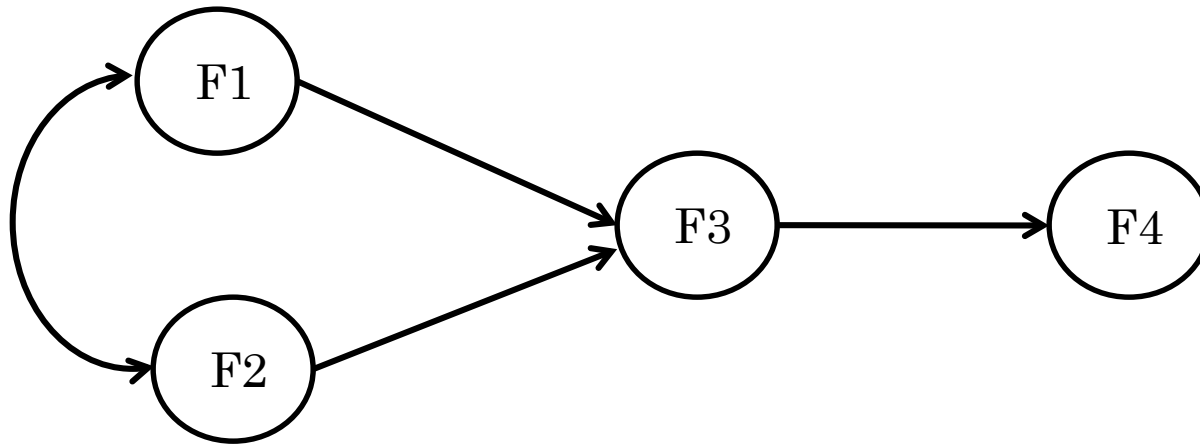
P-Value 0.0000

SRMR (Standardized Root Mean Square Residual)

Value 0.027



Path Analysis Model



Path Analysis Model – zero error

INPUT INSTRUCTIONS

```
title: Monte Carlo Study CISE
data: file is cise.txt;
variable: names are y1-y12 f1 f2 f3 f4;
usevariable are f1 f2 f3 f4;
model:
  f4 on f3;
  f3 on f1 f2;
  f1 with f2;
```



Path Analysis Model – zero error

MODEL RESULTS

		Estimate	S.E.	Est./S.E.	Two-Tailed P-Value
F4	ON				
F3		0.346	0.033	10.581	0.000
F3	ON				
F1		0.363	0.039	9.331	0.000
F2		0.545	0.042	12.994	0.000
F1	WITH				
F2		-0.033	0.053	-0.613	0.540



MODEL FIT INFORMATION

Number of Free Parameters	12
---------------------------	----

Loglikelihood

H0 Value	-2853.672
H1 Value	-2852.038

Information Criteria

Akaike (AIC)	5731.344
Bayesian (BIC)	5781.919
Sample-Size Adjusted BIC ($n^* = (n + 2) / 24$)	5743.830

Chi-Square Test of Model Fit

Value	3.267
Degrees of Freedom	2
P-Value	0.1952

RMSEA (Root Mean Square Error Of Approximation)

Estimate	0.036	
90 Percent C.I.	0.000	0.103
Probability RMSEA \leq .05	0.536	

CFI/TLI

CFI	0.996
TLI	0.989

Chi-Square Test of Model Fit for the Baseline Model

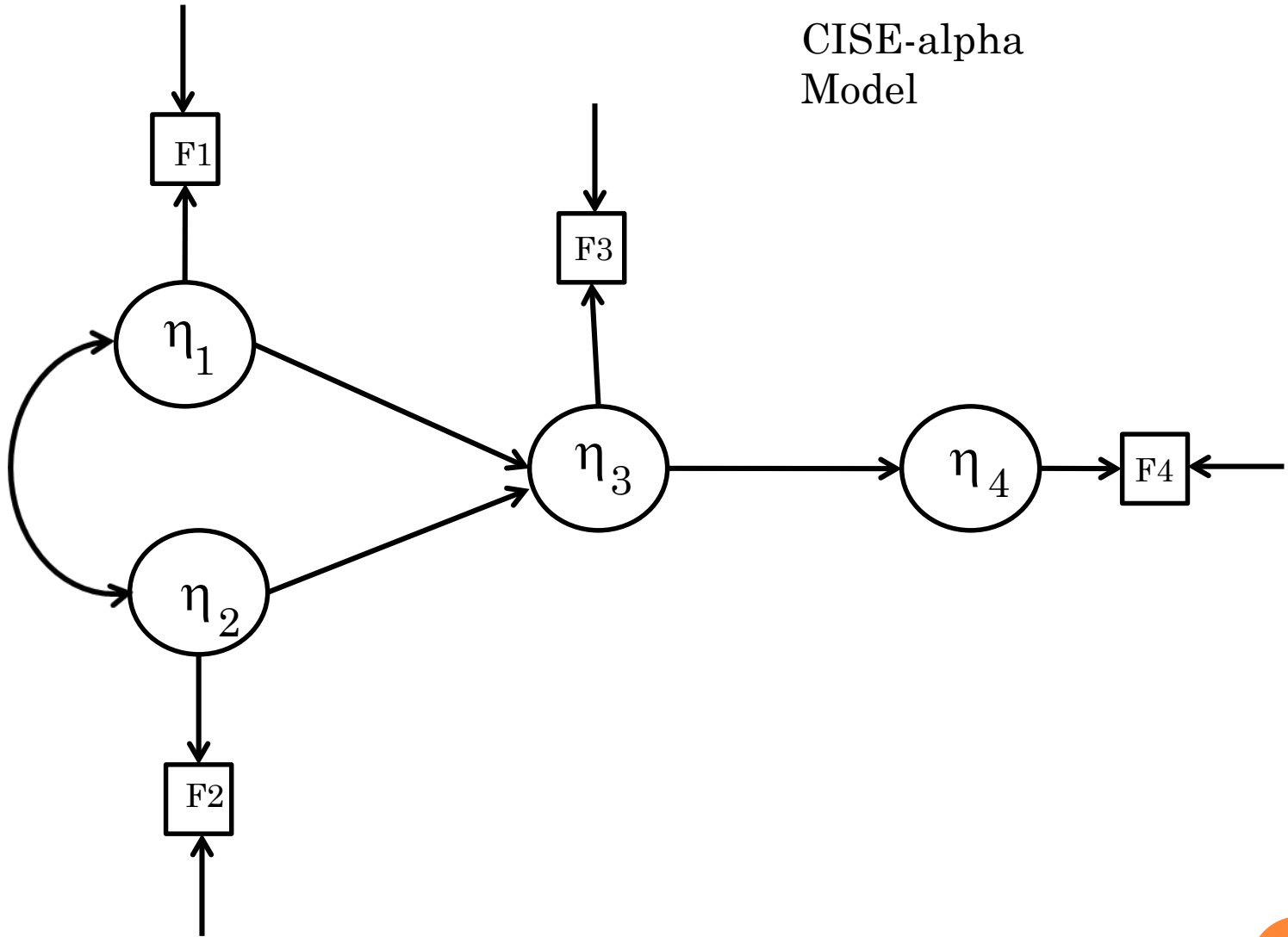
Value	306.652
Degrees of Freedom	5
P-Value	0.0000

SRMR (Standardized Root Mean Square Residual)

Value	0.018
-------	-------



CISE-alpha
Model



CISE – Alpha Model

INPUT INSTRUCTIONS

```
title: Monte Carlo Study CISE
data: file is cise.txt;
variable: names are y1-y12 f1 f2 f3 f4;
usevariable are f1 f2 f3 f4;
model:
    factor1 by f1@1;
    f1@0.332;
    factor2 by f2@1;
    f2@0.352;
    factor3 by f3@1;
    f3@0.311;
    factor4 by f4@1;
    f4@0.363;
    factor4 on factor3;
    factor3 on factor1 factor2;
```



CISE – Alpha Model

MODEL RESULTS

	Estimate	S.E.	Est./S.E.	Two-Tailed P-Value
FACTOR1 BY F1	1.000	0.000	999.000	999.000
FACTOR2 BY F2	1.000	0.000	999.000	999.000
FACTOR3 BY F3	1.000	0.000	999.000	999.000
FACTOR4 BY F4	1.000	0.000	999.000	999.000
FACTOR4 ON FACTOR3	0.433	0.041	10.447	0.000
FACTOR3 ON FACTOR1	0.504	0.055	9.112	0.000
FACTOR3 ON FACTOR2	0.795	0.067	11.908	0.000
FACTOR2 WITH FACTOR1	-0.033	0.053	-0.613	0.540



MODEL FIT INFORMATION

Number of Free Parameters 12

Loglikelihood

H0 Value -2853.329
H1 Value -2852.038

Information Criteria

Akaike (AIC) 5730.659
Bayesian (BIC) 5781.234
Sample-Size Adjusted BIC 5743.145
($n^* = (n + 2) / 24$)

Chi-Square Test of Model Fit

Value 2.582
Degrees of Freedom 2
P-Value 0.2750

RMSEA (Root Mean Square Error Of Approximation)

Estimate 0.024
90 Percent C.I. 0.000 0.095
Probability RMSEA \leq .05 0.624

CFI/TLI

CFI 0.998
TLI 0.994

Chi-Square Test of Model Fit for the Baseline Model

Value 307.028
Degrees of Freedom 6
P-Value 0.0000

SRMR (Standardized Root Mean Square Residual)

Value 0.015



	Population Value	LSEM	Path	CISE-alpha
ETA1 → ETA3	0.50	0.563	0.363	0.504
ETA2 → ETA3	0.70	0.790	0.545	0.795
ETA3 → ETA4	0.60	0.473	0.346	0.433
		Percent Parameter Bias	Percent Parameter Bias	Percent Parameter Bias
ETA1 → ETA3		+12.6%	-27.4%	+0.8%
ETA2 → ETA3		+12.8%	-22.1%	+13.5%
ETA3 → ETA4		-21.2%	-42.3%	-27.8%

LSEM	Path	CISE-alpha
$\chi^2 = 53.704$	$\chi^2 = 3.267$	$\chi^2 = 2.582$
degrees of freedom = 50	degrees of freedom = 2	degrees of freedom = 2
p = 0.3344	p = 0.1952	p = 0.2750
RMSEA = 0.012	RMSEA = 0.036	RMSEA = 0.024
SRMR = 0.027	SRMR = 0.018	SRMR = 0.015
$\chi^2/\text{degrees of freedom} = 1.07$	$\chi^2/\text{degrees of freedom} = 1.63$	$\chi^2/\text{degrees of freedom} = 1.29$
Free Parameters = 40	Free Parameters = 12	Free Parameters = 12

